

TRANSPORT:  
HARP RACK  
FW 50/12, FW 60/13,  
ABS 50 for waste sections



**Pichler GmbH**  
Gutenhofen 4, A-4300 St. Valentin

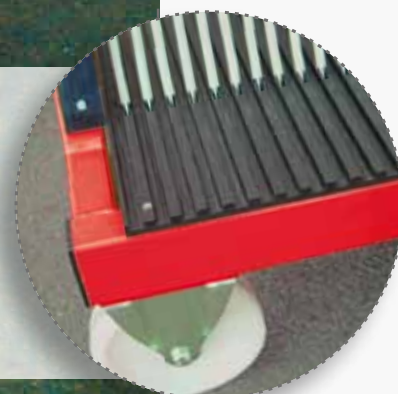
Tel +43 (0) 7435-52812-0  
Fax +43 (0) 7435-52812-40  
glass@pichler-gmbh.at  
[www.glass-logistics.at](http://www.glass-logistics.at)

LOGISTICS SOLUTIONS  
FOR THE GLASS PROCESSING INDUSTRY



**Your advantages at a glance:**

- Easy access to each glass pane
- Suitable for single glass panes or insulation glass
- For glass panes up to a size of 2 x 1 meter
- Support base at bottom: PE board
- Turn page for model overview



**HARP RACK**

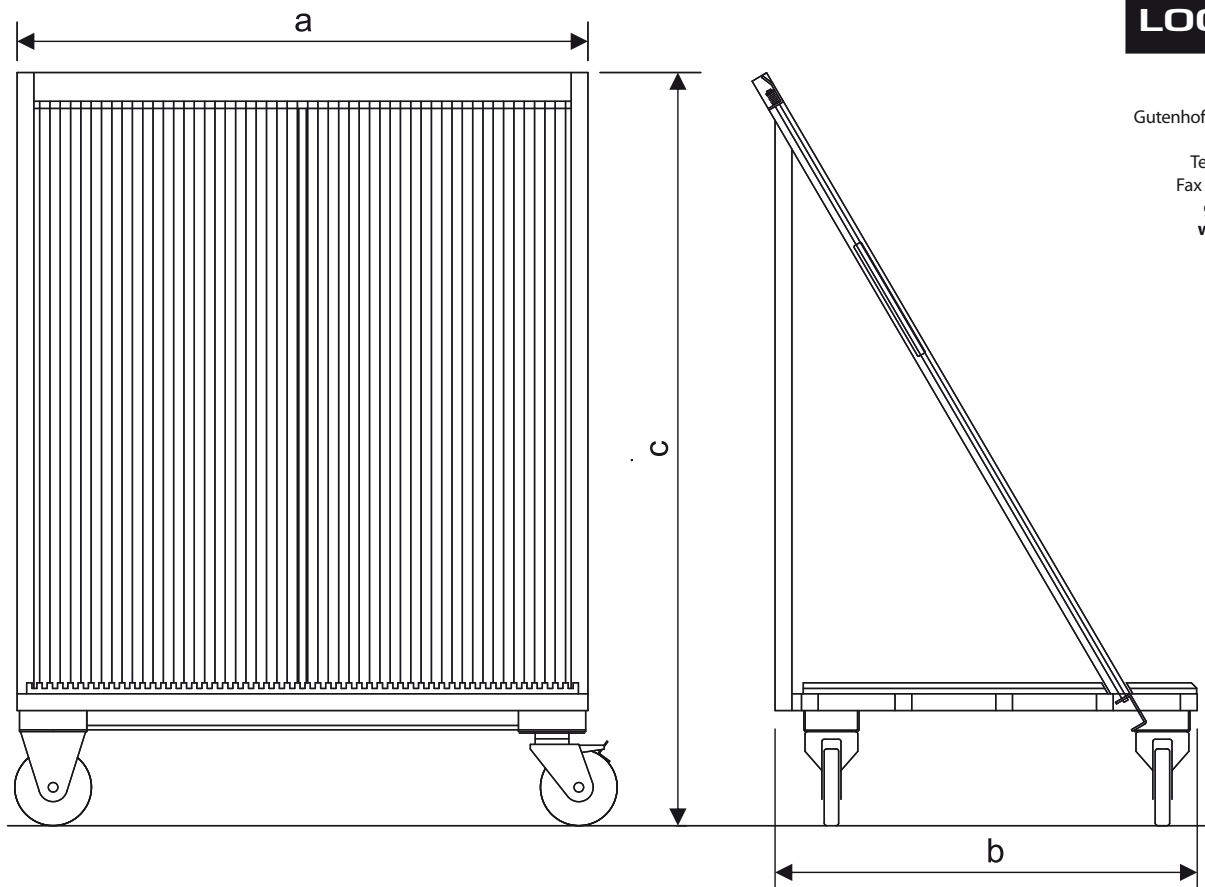
FW 50/12, FW 60/13,  
ABS 50 for waste sections



**Pichler GmbH**  
Gutenhofen 4, A-4300 St. Valentin

Tel +43 (0) 7435-52812-0  
Fax +43 (0) 7435-52812-40  
glass@pichler-gmbh.at  
[www.glass-logistics.at](http://www.glass-logistics.at)

LOGISTICS SOLUTIONS  
FOR THE GLASS PROCESSING INDUSTRY



	TYPE	Length (a)	Width (b)	Height (c)	Max. glass dim. l/h/w	Load	Support base
<input type="radio"/>	FW 50/12	1,190 mm	950 mm	1,570 mm	50 x 840/1,800/12 mm	800 kg	PE board
<input type="radio"/>	FW 60/13	1,470 mm	1,100 mm	1,800 mm	60 x 1000/2,000/13 mm	1,500 kg	PE board
<input type="radio"/>	ABS 50	1,190 mm	950 mm	1,570 mm	50 x 840/1,800/12 mm	800 kg	PE board

- Send us a non-committal quote on \_\_\_\_\_ pcs. of the selected model
- Contact us  by phone  by e-mail
- Send us information on the complete portfolio of **GLASS LOGISTICS**

**Your Data:**

Name: \_\_\_\_\_

Company: \_\_\_\_\_

Street: \_\_\_\_\_

ZIP/City: \_\_\_\_\_

Country: \_\_\_\_\_

Phone/Fax: \_\_\_\_\_

E-Mail: \_\_\_\_\_